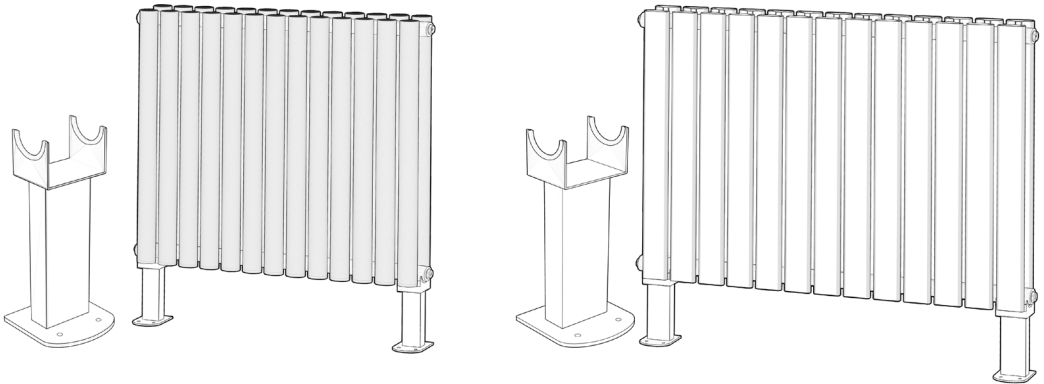


# Installation Manual



## Applicable Models

- SORRENTOFEETW
- SORRENTOFEETB
- SORRENTOFEETDG
- RIACIFEETW
- RIACIFEETB
- RIACIFEETDG

Please keep this manual for future reference.



CAUTION

## WARNING

- 1.Ensure the radiator is installed by a competent person and in strict accordance with this manual. Incorrect installation may lead to instability or detachment from the wall.
- 2.The radiator must be installed exactly as instructed to maintain structural integrity and safe operation.
- 3.This product is intended for indoor, dry environments only. Do not install in shower rooms, steam rooms, or any location exposed to moisture or water.

## IMPORTANT CHILD SAFETY INFORMATION

To comply with UKCA/CE safety guidance, please note that you are fully responsible for ensuring a safe environment for children within your home. Radiators can pose significant hazards if children interact with them improperly.

- Mechanical Hazard – Risk of Injury

The radiator and its feet are not designed to support weight. Children must not climb, pull, sit, or hang from the radiator or its rails. Excessive force may cause the radiator to detach from the wall or feet, leading to serious injury.

- Thermal Hazard – Risk of Burns

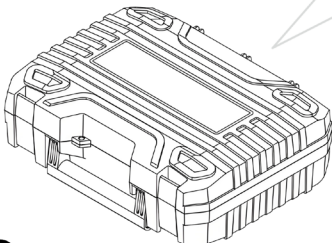
During normal operation, the radiator surface becomes very hot. Contact may cause burns, especially to young children.

- Mandatory Precautions:

- Prevent children from climbing or playing around the radiator or brackets.
- Keep children away from hot surfaces.
- Ensure no toys, fabrics, or objects are placed onto or inside the radiator.
- Consider protective barriers if the radiator is installed in areas accessible to children.

Failure to follow these safety instructions may result in burns, falls, or radiator instability. (Then keep your images of Body, Expansion Bolt, Screw, Wall Bracket etc.)

Note: When installing column feet, wall brackets supplied with the radiator may also be required depending on wall type.



## TOOLS YOU MIGHT NEED



Pencil



Tape Measure



PTFE Tape



Screw



Head Screwdrivers



Spirit Level



Clean cloth



Expansion bolt



Electric Drill



Rubber Hammer



Glove

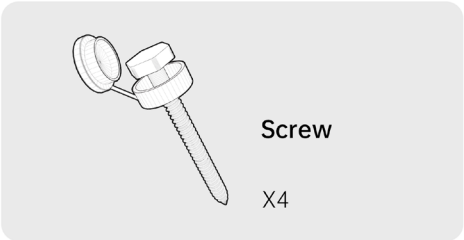
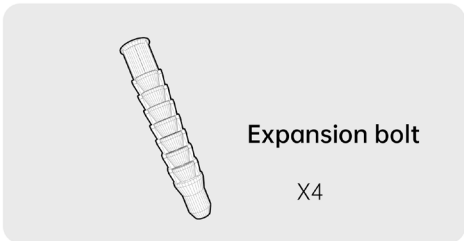
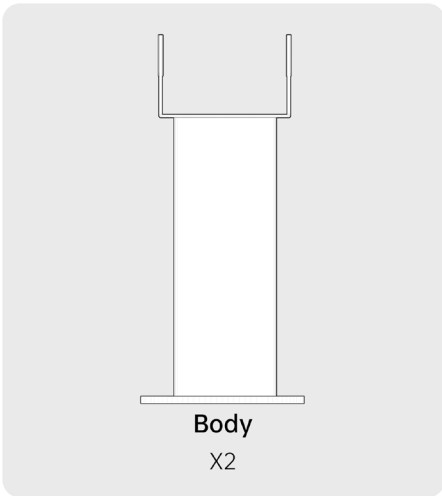
- SORRENTOFEETW
- SORRENTOFEETB
- SORRENTOFEETDG



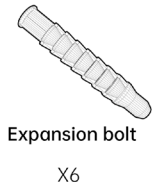
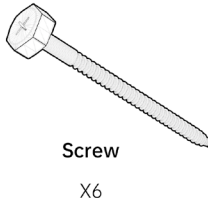
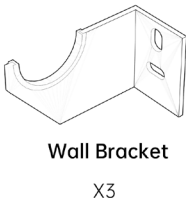
Please check you have all of these items in the box

**BEFORE** INSTALLATION

- Ensure installation complies with all relevant local plumbing and building regulations.
- Turn off the main water supply before starting work.
- Read all instructions thoroughly before installation to ensure correct assembly.
- Check that the package contains all required parts as shown below.  
(Then keep your images of Body, Expansion Bolt, Screw, Wall Bracket etc.)



Note: When installing column feet, wall brackets supplied with the radiator may also be required depending on wall type.



- RIACIFEETW
- RIACIFEETB
- RIACIFEETDG

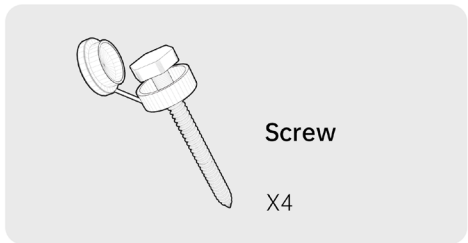
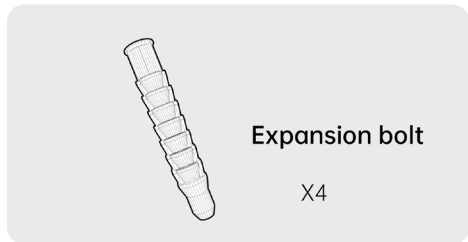
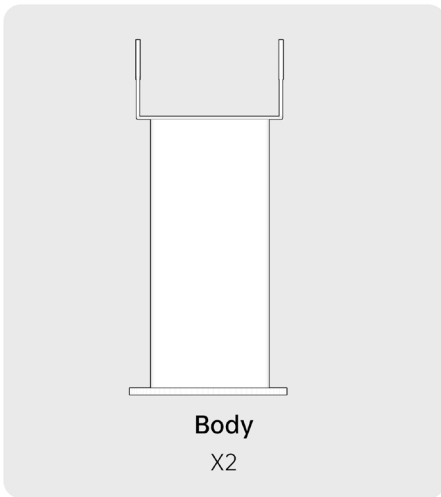


Please check you have all of these items in the box

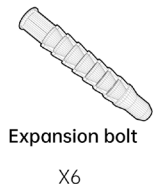
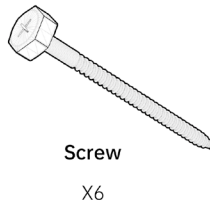
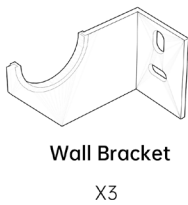
**BEFORE** INSTALLATION

- Ensure installation complies with all relevant local plumbing and building regulations.
- Turn off the main water supply before starting work.
- Read all instructions thoroughly before installation to ensure correct assembly.
- Check that the package contains all required parts as shown below.

(Then keep your images of Body, Expansion Bolt, Screw, Wall Bracket etc.)



Note: When installing column feet, wall brackets supplied with the radiator may also be required depending on wall type.



## Installation Procedure

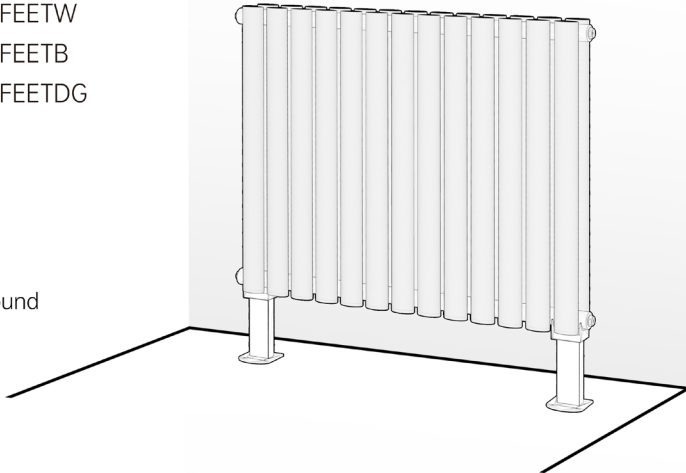
### 01 / Positioning

Place the radiator onto the column feet, aligning it with the wall. Mark three evenly spaced bracket positions with a pencil.  
(Your diagrams remain the same.)

- SORRENTOFEETW
- SORRENTOFEETB
- SORRENTOFEETDG



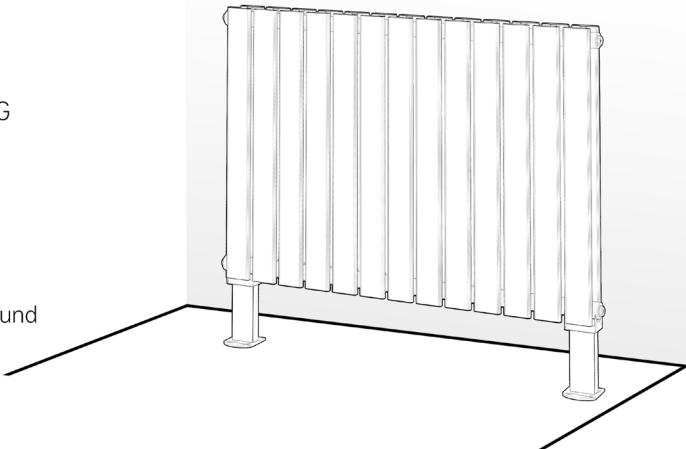
Place on the ground



- RIACIFEETW
- RIACIFEETB
- RIACIFEETDG



Place on the ground



## Installation Procedure

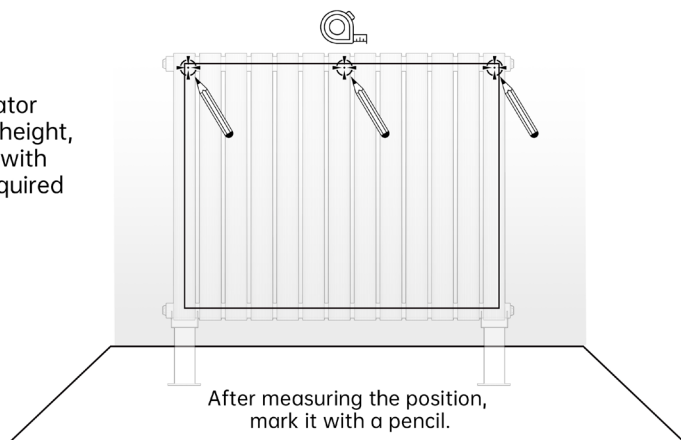
### 01 / Positioning

Place the radiator onto the column feet, aligning it with the wall. Mark three evenly spaced bracket positions with a pencil.  
(Your diagrams remain the same.)

#### Additional Note

Depending on the radiator model and installation height, wall brackets supplied with the radiator may be required to ensure stability.

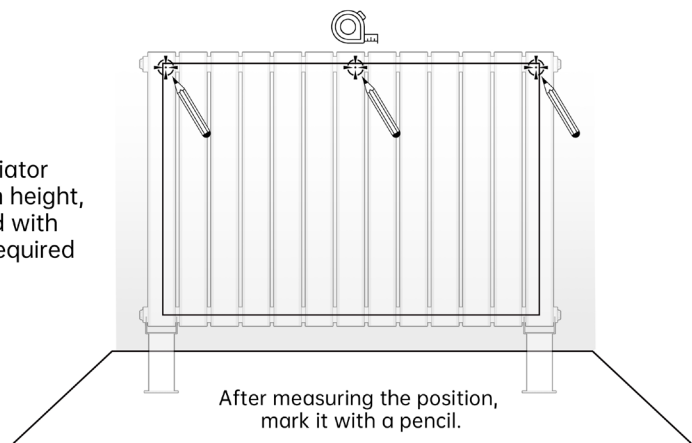
- SORRENTOFEETW
- SORRENTOFEETB
- SORRENTOFEETDG



#### Additional Note

Depending on the radiator model and installation height, wall brackets supplied with the radiator may be required to ensure stability.

- RIACIFEETW
- RIACIFEETB
- RIACIFEETDG

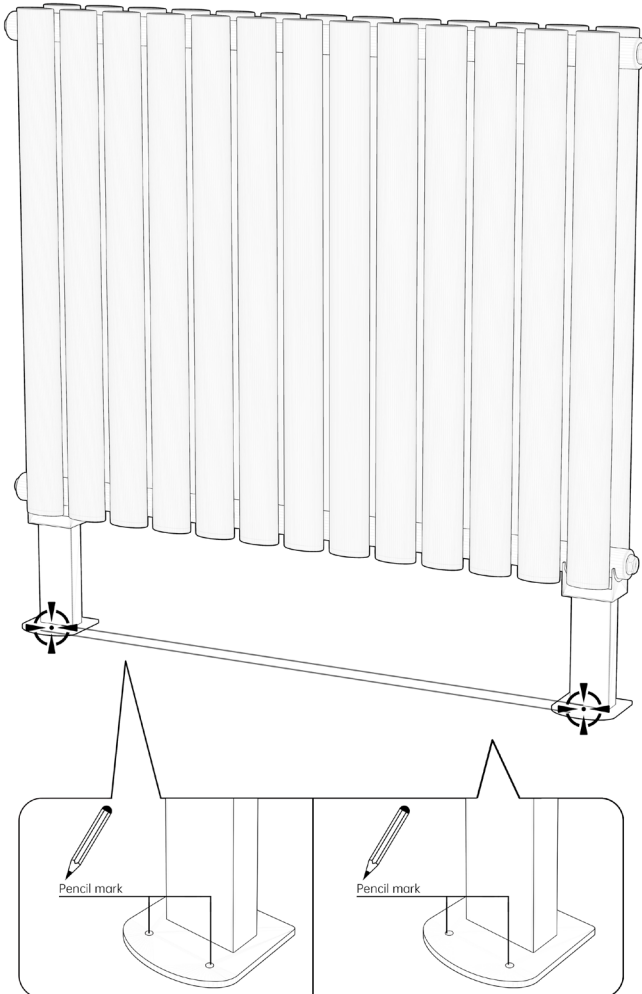


- SORRENTOFEETW
- SORRENTOFEETB
- SORRENTOFEETDG

## Installation Procedure

### 02 / Marking the Leg Positions

Mark the exact positions where the feet will be installed using a pencil, ensuring the radiator is level.

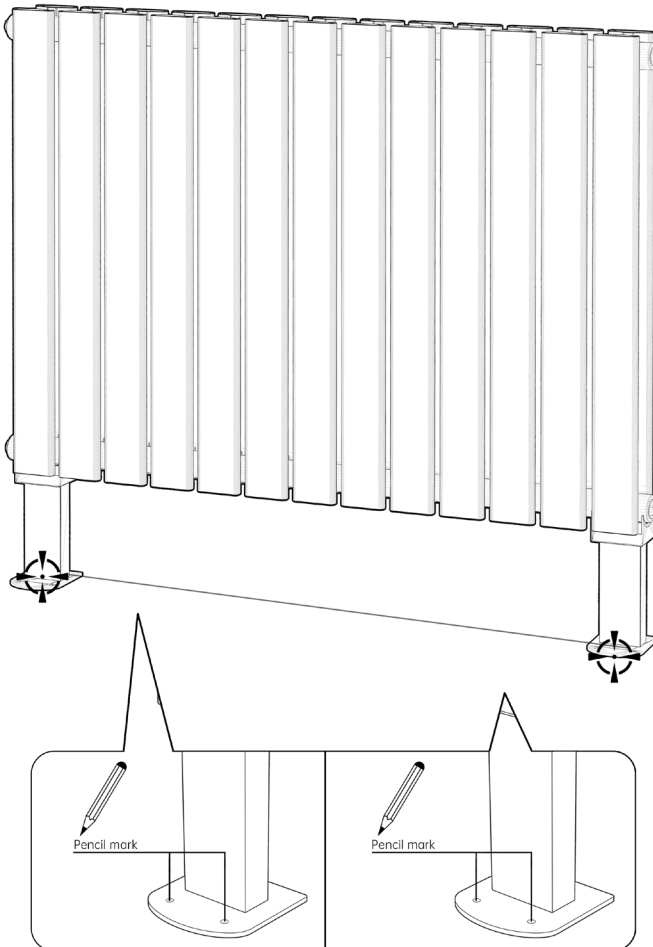


- RIACIFEETW
- RIACIFEETB
- RIACIFEETDG

## Installation Procedure

### 02 / Marking the Leg Positions

Mark the exact positions where the feet will be installed using a pencil, ensuring the radiator is level.



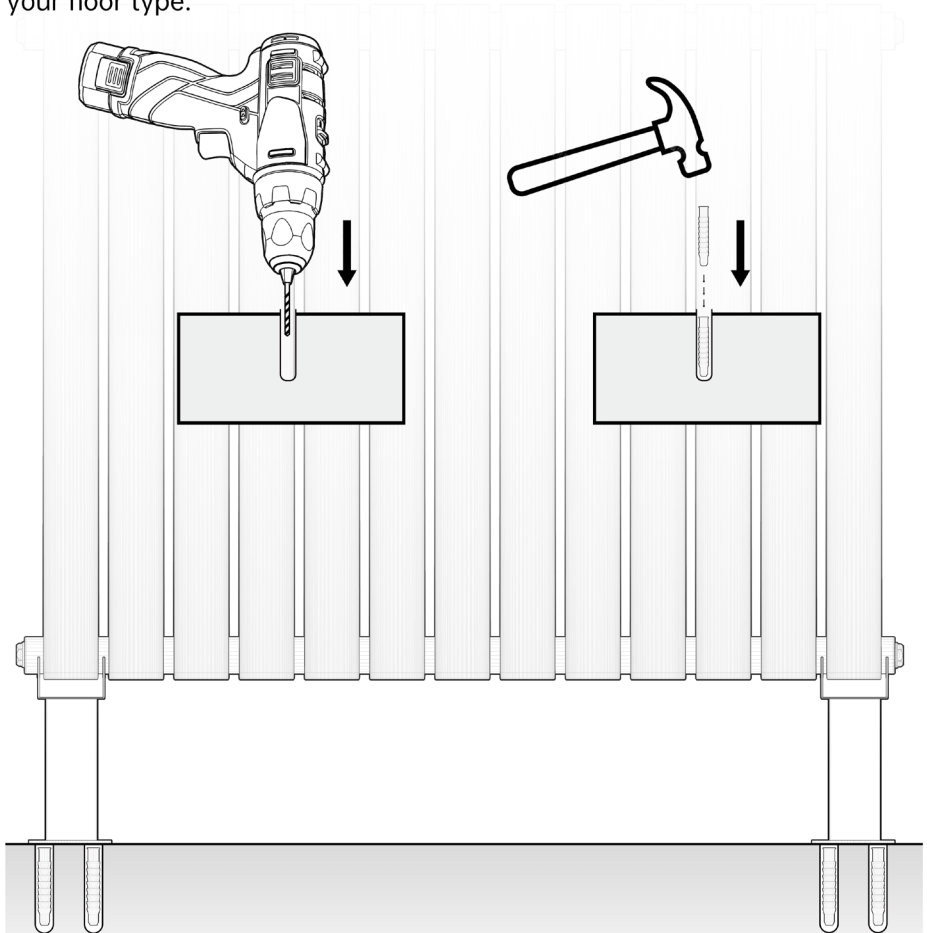
- SORRENTOFEETW
- SORRENTOFEETB
- SORRENTOFEETDG

## Punching

### 03/Drilling

1. Drill holes at the marked positions using an appropriate drill bit for your floor type.

2. Insert the expansion bolts fully into the holes.



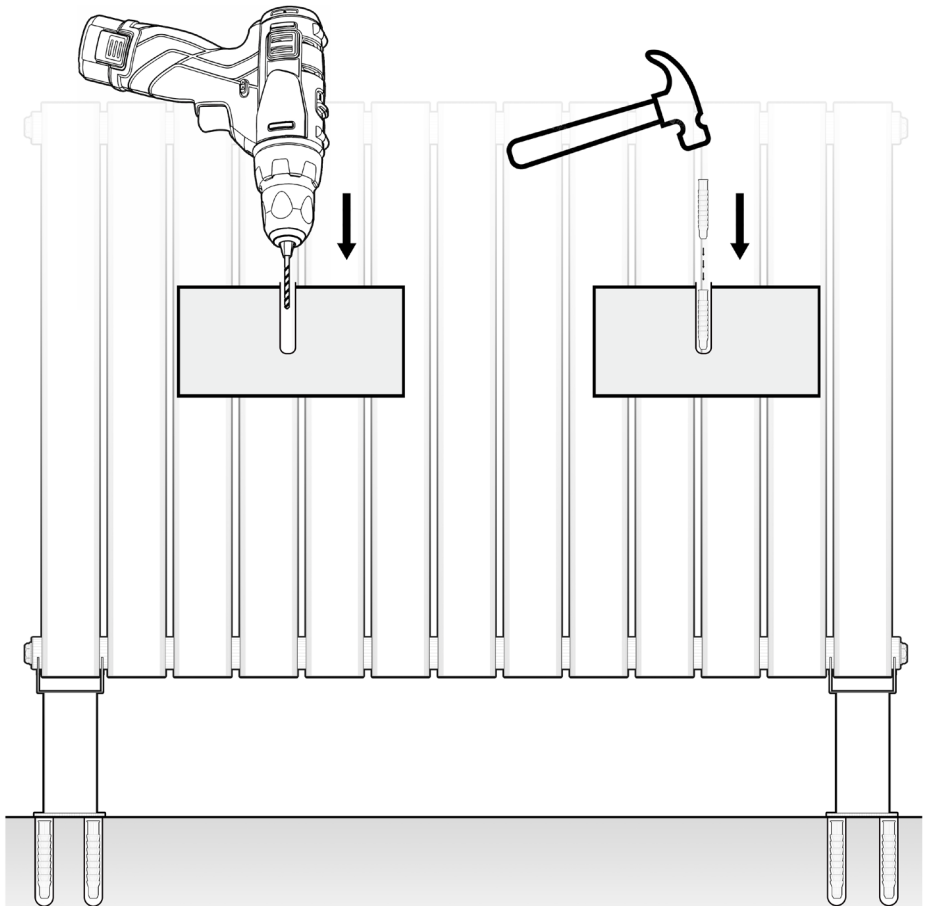
- RIACIFEETW
- RIACIFEETB
- RIACIFEETDG

## Punching

### 03/Drilling

1. Drill holes at the marked positions using an appropriate drill bit for your floor type.

2. Insert the expansion bolts fully into the holes.

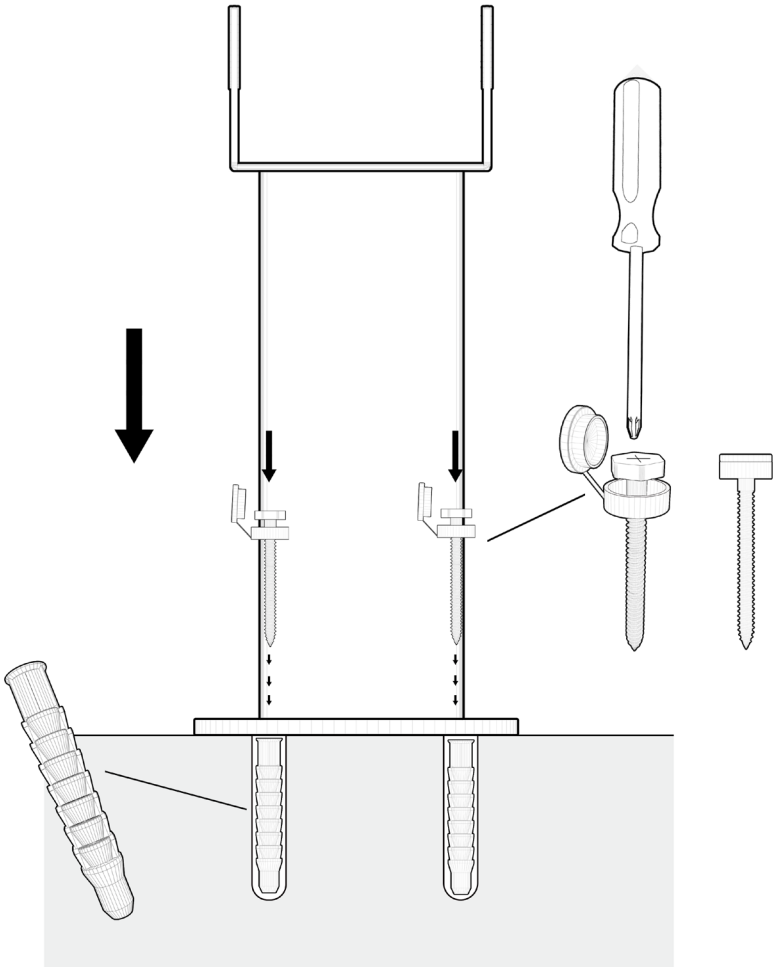


- SORRENTOFEETW
- SORRENTOFEETB
- SORRENTOFEETDG

## Screw Fixation

### 04/Securing the Feet

Using the screws provided, fix the feet to the floor by inserting the screws through the base of each foot and tightening them securely. Once tightened, fit the supplied cover over the screw area.

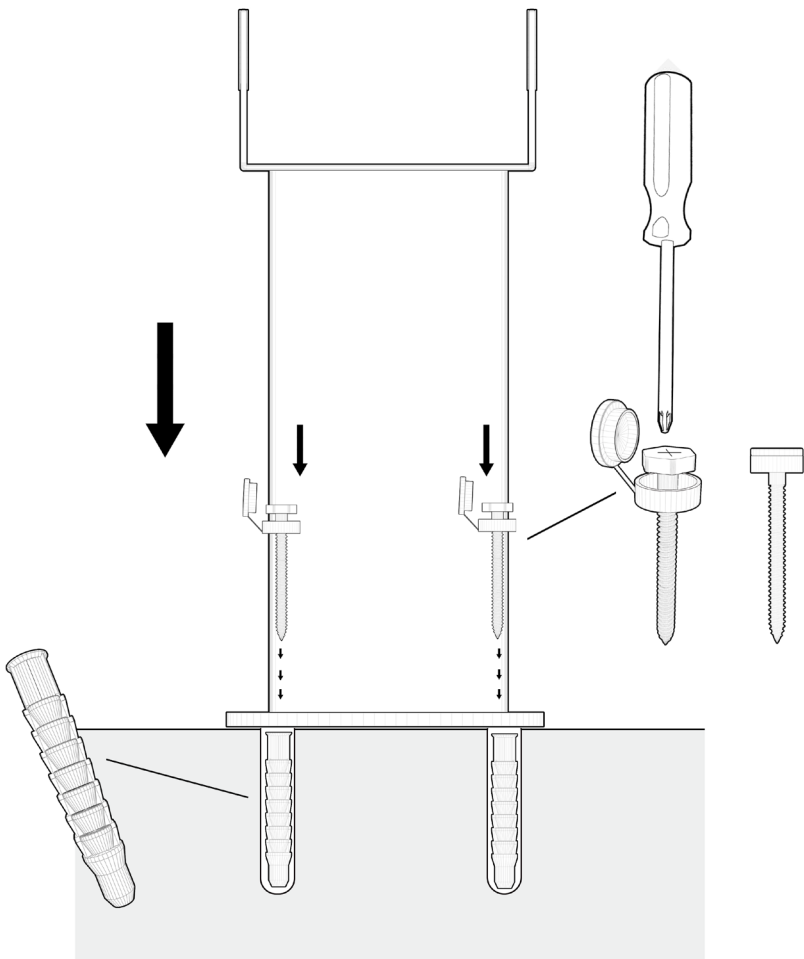


- RIACIFEETW
- RIACIFEETB
- RIACIFEETDG

## Screw Fixation

### 04/Securing the Feet

Using the screws provided, fix the feet to the floor by inserting the screws through the base of each foot and tightening them securely. Once tightened, fit the supplied cover over the screw area.

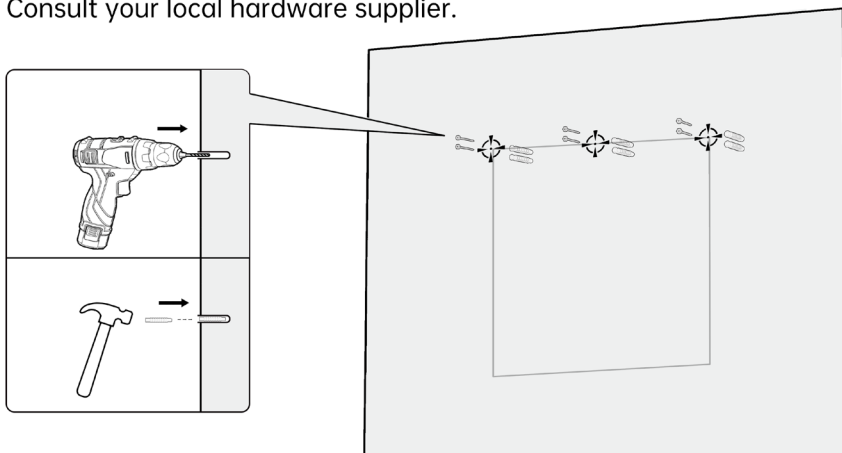


## Wall Mounting Brackets

### 05/Wall Mounting

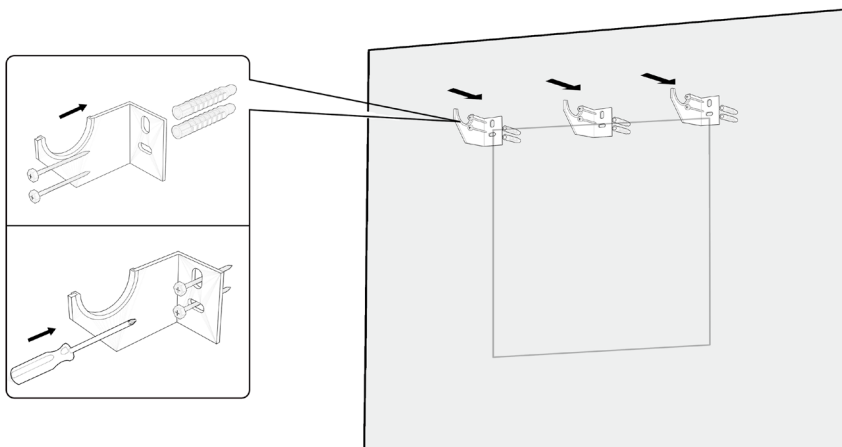
Drill holes in the wall at the marked bracket positions and insert appropriate wall plugs.

Note: For stud walls or hollow walls, specialised fixings may be required. Consult your local hardware supplier.



### 06/Bracket Fixing

Secure the brackets firmly to the wall using the screws provided.

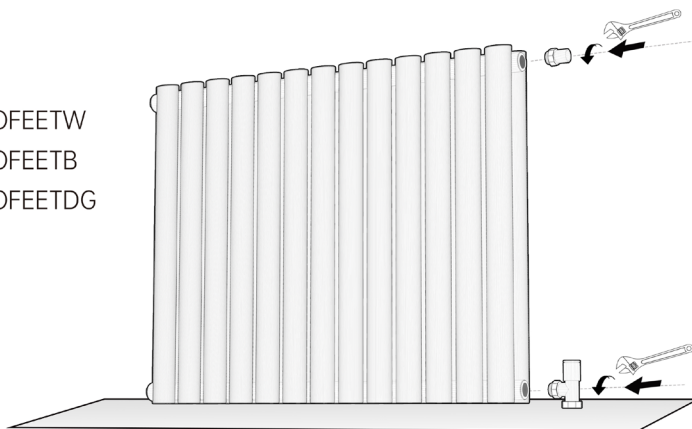


## Valve Assembly PTFE Tape

### 07 / Valve Preparation

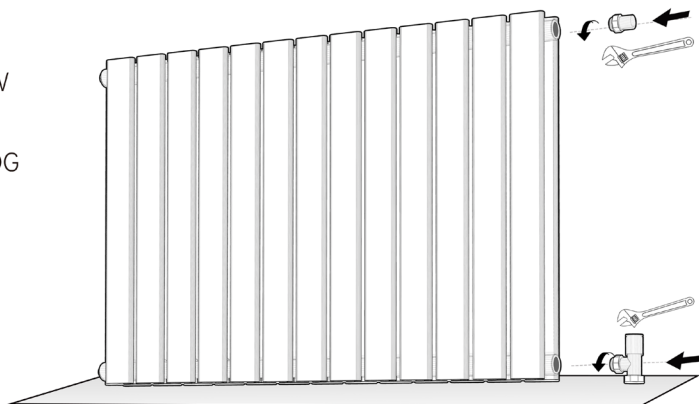
1. Wrap PTFE tape around the blanking plug and bleed valve threads, then screw them into the top of the radiator using a spanner.
2. Apply PTFE tape to the valve threads and screw them carefully into the bottom connections of the radiator. Tighten securely with a spanner.

- SORRENTOFEETW
- SORRENTOFEETB
- SORRENTOFEETDG



Place on a clean cloth

- RIACIFEETW
- RIACIFEETB
- RIACIFEETDG



Place on a clean cloth

